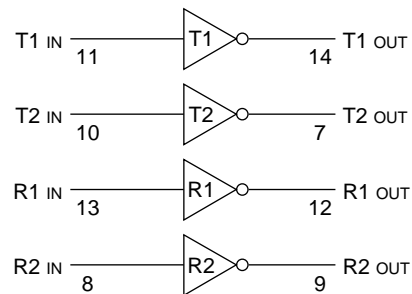
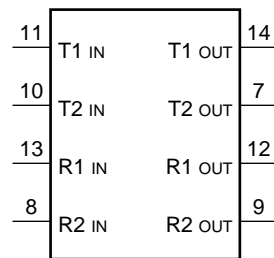
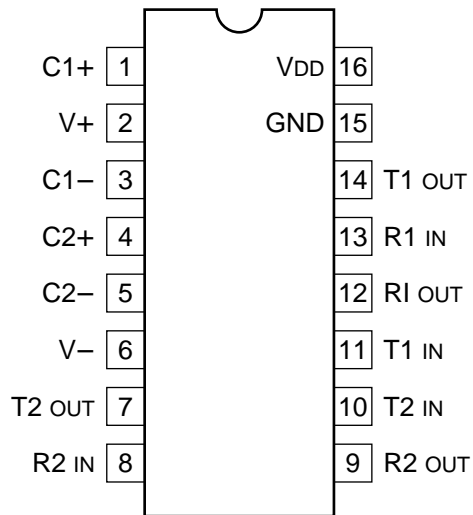


## C-MOS RS-232 DRIVER/RECEIVER

—TOP VIEW—



V+ : +10 V NOMINAL

V- : -10 V NOMINAL

C+ : EXTERNAL CAPACITOR (+TERMINAL)

C- : EXTERNAL CAPACITOR (-TERMINAL)

T IN : DRIVER INPUTS

T OUT : DRIVER OUTPUTS

R IN : RECEIVER INPUTS

R OUT : RECEIVER OUTPUTS